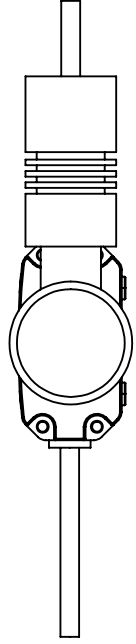
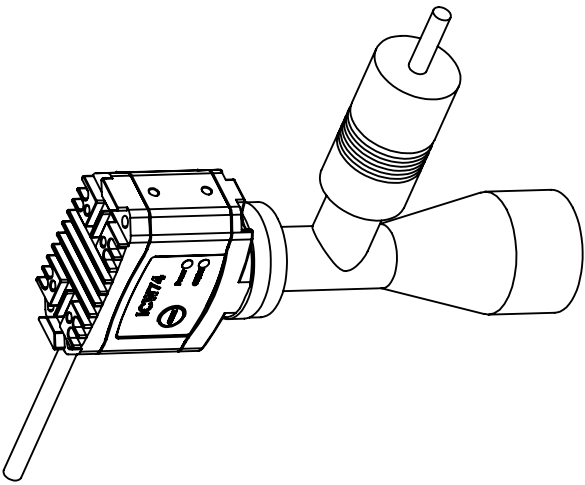


working distance 65mm



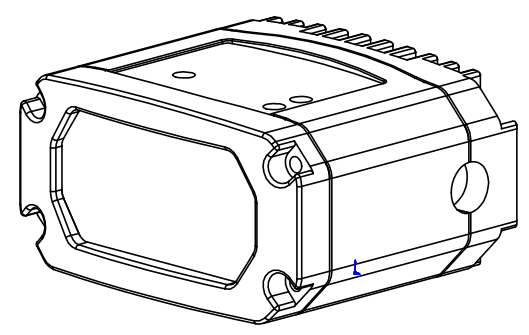
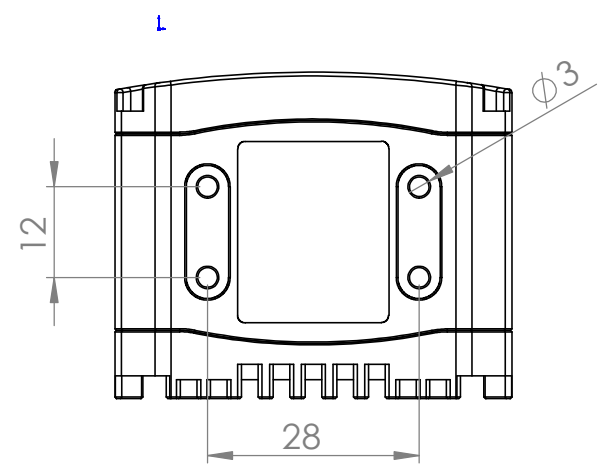
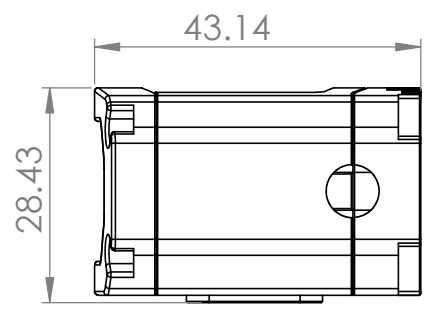
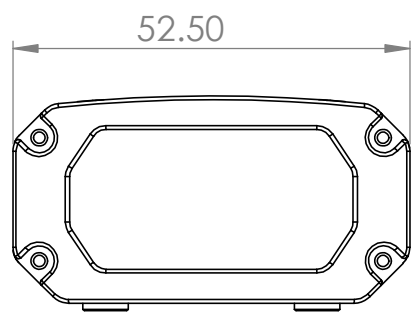
|                                                              |           |         |           |                                    |  |                               |  |          |  |
|--------------------------------------------------------------|-----------|---------|-----------|------------------------------------|--|-------------------------------|--|----------|--|
| UNLESS OTHERWISE SPECIFIED:<br>DIMENSIONS ARE IN MILLIMETERS |           | FINISH: |           | DEBURR AND<br>BREAK SHARP<br>EDGES |  | DO NOT SCALE DRAWING          |  | REVISION |  |
| SURFACE FINISH:                                              |           |         |           |                                    |  |                               |  |          |  |
| TOLERANCES:                                                  |           |         |           |                                    |  |                               |  |          |  |
| LINEAR:                                                      |           |         |           |                                    |  |                               |  |          |  |
| ANGULAR:                                                     |           |         |           |                                    |  |                               |  |          |  |
| NAME                                                         | SIGNATURE | DATE    | TITLE:    |                                    |  |                               |  |          |  |
| DRAWN                                                        |           |         |           |                                    |  |                               |  |          |  |
| CHK'D                                                        |           |         |           |                                    |  |                               |  |          |  |
| APP'VD                                                       |           |         |           |                                    |  |                               |  |          |  |
| MFG                                                          |           |         |           |                                    |  |                               |  |          |  |
| Q.A                                                          |           |         | MATERIAL: |                                    |  |                               |  |          |  |
|                                                              |           |         | DWG NO.   |                                    |  | Assem_embed_diffusor_20190420 |  |          |  |
|                                                              |           |         | SCALE:1:5 |                                    |  | A4                            |  |          |  |
|                                                              |           |         | WEIGHT:   |                                    |  | SHEET 1 OF 1                  |  |          |  |

2

1

B

B



A

A

**PROPRIETARY AND CONFIDENTIAL**  
 THE INFORMATION CONTAINED IN THIS DRAWING IS THE SOLE PROPERTY OF <INSERT COMPANY NAME HERE>. ANY REPRODUCTION IN PART OR AS A WHOLE WITHOUT THE WRITTEN PERMISSION OF <INSERT COMPANY NAME HERE> IS PROHIBITED.

|             |         |                                                                                                                                   |           |      |      |
|-------------|---------|-----------------------------------------------------------------------------------------------------------------------------------|-----------|------|------|
|             |         | UNLESS OTHERWISE SPECIFIED:                                                                                                       |           | NAME | DATE |
|             |         | DIMENSIONS ARE IN INCHES<br>TOLERANCES:<br>FRACTIONAL ±<br>ANGULAR: MACH ± BEND ±<br>TWO PLACE DECIMAL ±<br>THREE PLACE DECIMAL ± | DRAWN     |      |      |
|             |         | INTERPRET GEOMETRIC TOLERANCING PER:                                                                                              | CHECKED   |      |      |
|             |         | MATERIAL                                                                                                                          | ENG APPR. |      |      |
|             |         | FINISH                                                                                                                            | MFG APPR. |      |      |
| NEXT ASSY   | USED ON |                                                                                                                                   | Q.A.      |      |      |
| APPLICATION |         | DO NOT SCALE DRAWING                                                                                                              | COMMENTS: |      |      |

上海视界纵横智能科技有限公司

TITLE:

SIZE **A** DWG. NO. **74系列** REV

SCALE: 1:1 SHEET 1 OF 1

2

1