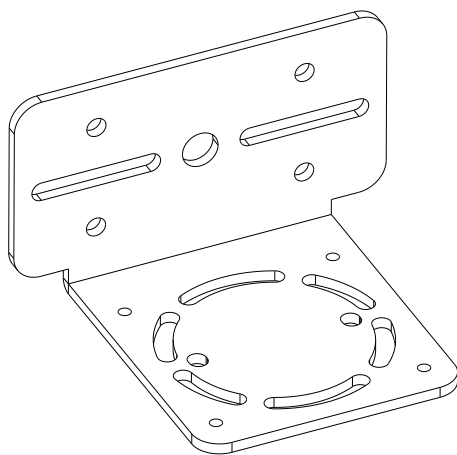
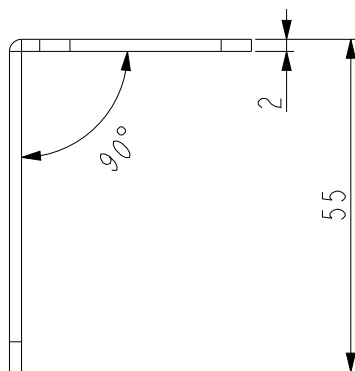
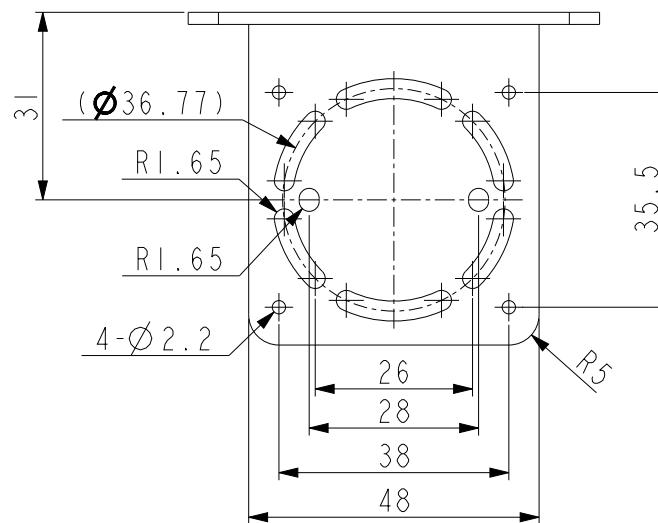
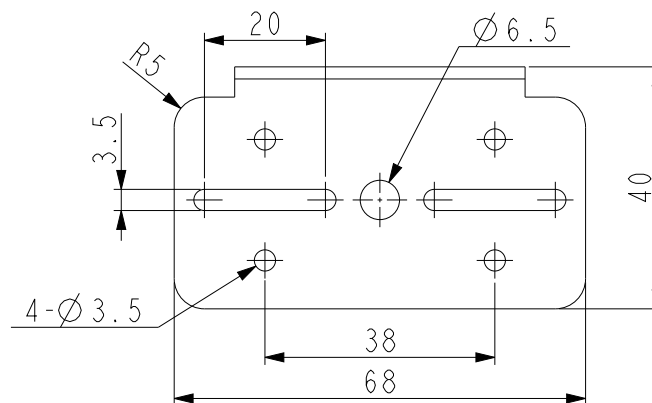


THIS DRAWING CONTAINS PROPRIETARY INFORMATION AND SHALL NO BE USED OR REPRODUCED WITHOUT WRITTEN AUTHORIZATION FROM DESIGN ENGINEERING

REVISIONS				
REV	ZONE	DESCRIPTION	BY	DATE
A		FIRST RELEASED	AY	2020/07/30

NOTE :

1. 未注公差尺寸参考图纸下方公差表A系列。
2. 产品表面不允许有油污, 划痕, 擦伤等损伤产品表面的缺陷。
3. 去除毛刺飞边。



TOLERANCE UNLESS OTHERWISE SPECIFIED (±)							
CLASS	A	B	C	D	E	F	G
< 8mm	0.05	0.1	0.1	0.2	0.2	0.4	0.4
8~25mm	0.08	0.15	0.15	0.3	0.3	0.6	0.6
25~80mm	0.12	0.2	0.25	0.4	0.5	0.8	1.0
80~250mm	0.25	0.3	0.4	0.6	0.8	1.2	1.5
250~800mm	0.5	0.6	0.8	1.0	1.5	2.0	3.0
> 800mm	1.0	1.0	1.5	1.7	3.0	4.0	6.0
ANGLE	0.5						

DRAWN	AY	DATE	2020/07/30
DESIGN	AY	DATE	2019/12/16
CHECK		DATE	
PROJECT NAME	ICW70/74/75		
	THIRD ANGLE PROJECTION		



PART NO.	80ME.xxxx-A-00		
PART NAME	MOUNTING-PLATE-ICW75_FOR_APPLE		
UNIT	SCALE	SHEET	REV
mm	4:5	1 OF 1	A

MATERIAL	SUS304 2.0T
COLOR/FINISH	NATURAL
UL FLAME CLASSIFICATION	