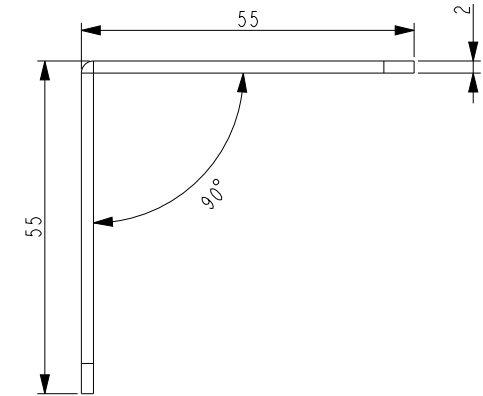
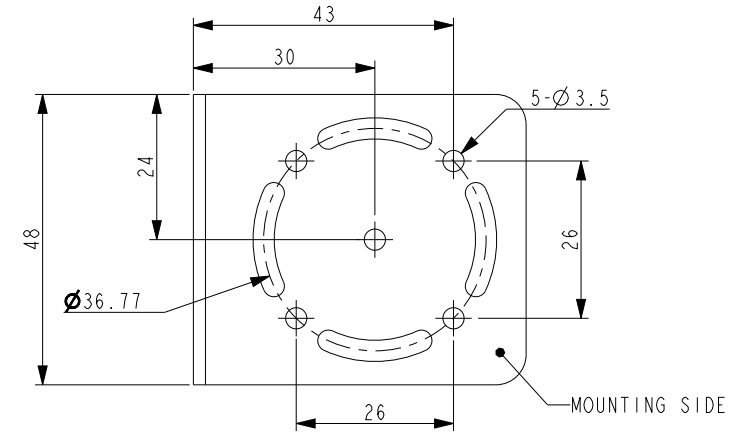
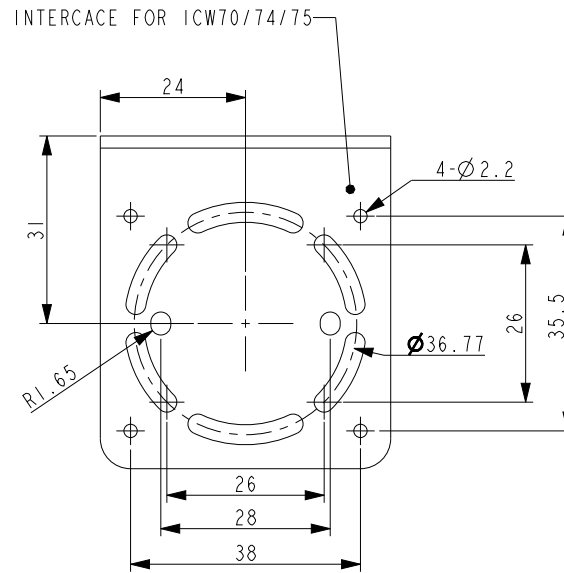
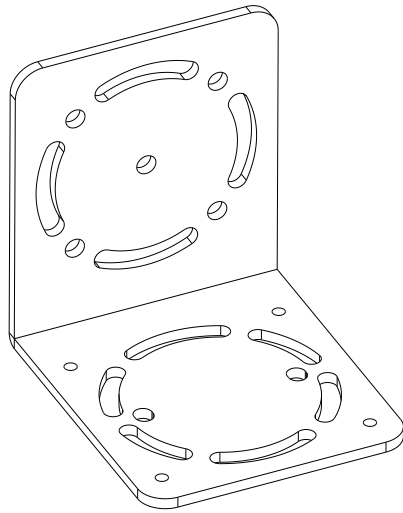


THIS DRAWING CONTAINS PROPRIETARY INFORMATION AND SHALL NO BE USED OR REPRODUCED WITHOUT WRITTEN AUTHORIZATION FROM DESIGN ENGINEERING

REVISIONS				
REV	ZONE	DESCRIPTION	BY	DATE
A		FIRST RELEASED	AY	2019/12/16



MATERIAL	SPCC 2.0T
COLOR/FINISH	COATING Zn
UL FLAME CLASSIFICATION	

TOLERANCE UNLESS OTHERWISE SPECIFIED (±)							
CLASS	A	B	C	D	E	F	G
< 8mm	0.05	0.1	0.1	0.2	0.2	0.4	0.4
8~25mm	0.08	0.15	0.15	0.3	0.3	0.6	0.6
25~80mm	0.12	0.2	0.25	0.4	0.5	0.8	1.0
80~250mm	0.25	0.3	0.4	0.6	0.8	1.2	1.5
250~800mm	0.5	0.6	0.8	1.0	1.5	2.0	3.0
> 800mm	1.0	1.0	1.5	1.7	3.0	4.0	6.0
ANGLE	0.5						

DRAWN	AY	DATE	2019/12/16
DESIGN	AY	DATE	2019/12/16
CHECK		DATE	
PROJECT NAME			
ICW70/74/75			
THIRD ANGLE PROJECTION			

视印智能
Vision Intelligent

PART NO.			
PART NAME			
MOUNTING-PLATE-ICW70-74-75			
UNIT	SCALE	SHEET	REV
mm	4:5	1 OF 1	A